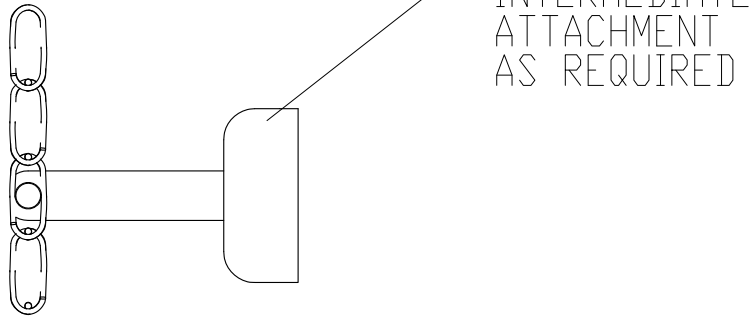
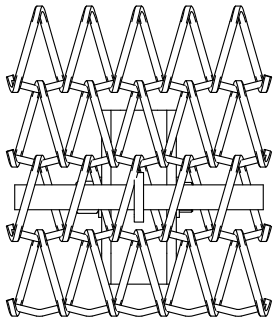
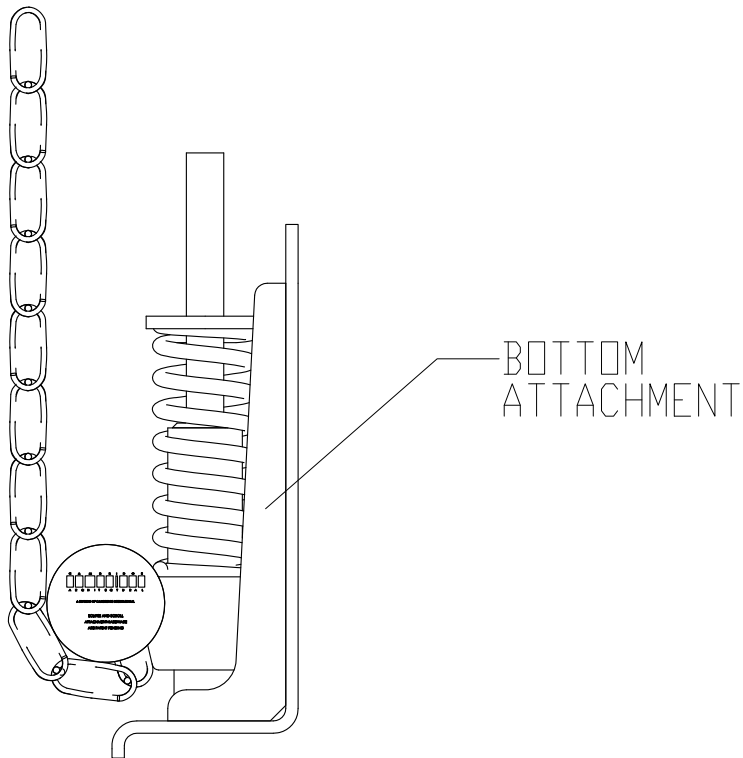
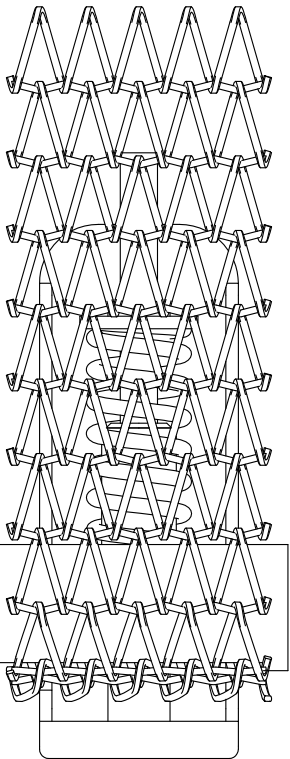
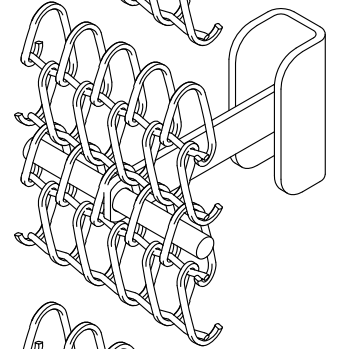


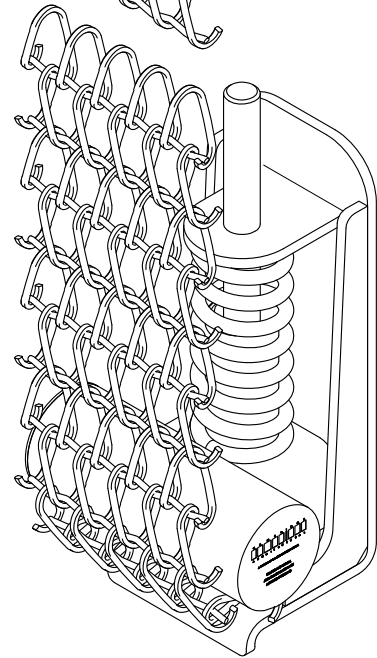
TOP
ATTACHMENT



INTERMEDIATE
ATTACHMENT
AS REQUIRED



BOTTOM
ATTACHMENT



FRONT VIEW

SIDE VIEW

SCROLL



www.CambridgeArchitectural.com
866.806.2385